

ACW-P

Angelique® Copper Solid Core Wire with PVC Insulation

Angelique® Copper is a high quality copper alloy to which a certain amount of silver and a certain amount of gold is added. A copper plus sort of; for an audibly plus in musical enjoyment. At a price you would not expect from a product enriched with SilverGold. Finally, we got Angelique® Copper's very copper-silver-gold ratio patented. Alternative alloys with more or less silver and/or gold were not as convincing in listening tests. It's all about the mixture!

Products based on certain SilverGold alloys have a long tradition at Mundorf. For years, our SilverGold capacitor series are being used regularly in state-of-the-art projects of international manufacturers and passionate DIY experts. By the way, they also love our SilverGold solder. For a reason.

Unlike electronic components such as capacitors or coils, which process the music signal in its typical frequency range, audio cables and wires as electrical conductors solely serve one purpose: To get the music signal from A to B with as little interference as any possible. Not an easy task.

For electro-physical reasons, the current of the music signal causes the conductor material to resonate. One negative effect of these resonances is the resulting loss of energy, of power and expression in music signal. Another effect is the signal influencing feedback of those resonances on musical details and sound staging. For example with our coils, a solid vacuumizing process reduces these negative effects very effectively. Inside our capacitors and resistors, additional damping materials ensure the greatest possible reduction of unwanted resonances, which vary greatly depending on the conductor medium itself.

In listening comparisons of loudspeaker cables, the Angelique® Copper alloy obviously resonates differently and most probably less strongly than the involved 3 metals individually: Calm from within, transparent and structured down to the very smallest audible detail, every kind of music is performed to the point. Its expressiveness and tonal balance are certainly due to the Angelique® Copper alloy itself, which advantageously combines the best tonal characteristics of copper, silver and gold.

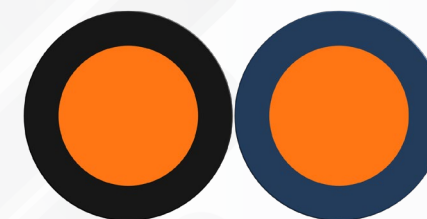
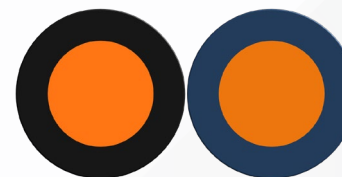
Angelique® copper stranded cables and solid core wires can generally be used for audio connections of all kind. Examples are the production of speaker cables and RCA cables or the internal wiring of components and loudspeakers. Furthermore, also power cords for audio devices as well as USB and AV cables from Angelique® Copper provide an audible improvement.

Solid Core Single Wire



	ACW105P-BK	ACW105P-BU	ACW110P-BK	ACW110P-BU	ACW115P-BK	ACW115P-BU	ACW120P-BK	ACW120P-BU
Ø Conductor [mm]	0.5	0.5	1.0	1.0	1.5	1.5	2.0	2.0
A Conductor [mm ²]	0.196	0.196	0.785	0.785	1.767	1.767	3.142	3.142
AWG (ca.)	24	24	18-19	18-19	15	15	12	12
Conductor	Angelique®Copper	Angelique®Copper	Angelique®Copper	Angelique®Copper	Angelique®Copper	Angelique®Copper	Angelique®Copper	Angelique®Copper
Ø Outer [mm]	0.9 +/- 0.1	0.9 +/- 0.1	1.8 +/- 0.1	1.8 +/- 0.1	2.4 +/- 0.2	2.4 +/- 0.2	3.0 +/- 0.2	3.0 +/- 0.2
Insulation	PVC Y18	PVC Y18	PVC Y18	PVC Y18	PVC Y18	PVC Y18	PVC Y18	PVC Y18
R_{DC} [mOhm/m]	87	87	22	22	10	10	6	6
U_{rated} [V]	100	100	300	300	300	300	300	300
T_{max.} [C°]	90	90	90	90	90	90	90	90
Colour	black	blue	black	blue	black	blue	black	blue
Weight [g/m]	2.2	2.2	9.5	9.5	19.7	19.7	32.2	32.2
Application Suggestions	Loudspeaker Internal Wiring: Tweeter Audio Electronics Internal Wiring RCA Cables XLR Cables & more		Speaker Cables Loudspeaker Internal Wiring: Tweeter/Mid Audio Electronics Internal Wiring & more		Speaker Cables Loudspeaker Internal Wiring: Mid/Woofers Audio Electronics Internal Wiring & more		Speaker Cables Loudspeaker Internal Wiring: Woofers Audio Electronics Internal Wiring & more	

Solid Core Twisted Pair Wire



ACW205P-BK/BU

ACW210P-BK/BU

ACW215P-BK/BU

ACW220P-BK/BU

∅ Conductor [mm]	2x 0.5	2x 1.0	2x 1.5	2x 2.0
A Conductor [mm²]	2x 0.196	2x 0.785	2x 1.767	2x 3.142
AWG (ca.)	2x 24	2x 18-19	2x 15	2x 12
Conductor	Angelique®Copper	Angelique®Copper	Angelique®Copper	Angelique®Copper
∅ Outer [mm]	2x 0.9 +/- 0.1	2x 1.8 +/- 0.1	2x 2.4 +/- 0.2	2x 3.0 +/- 0.2
Insulation	PVC Y18	PVC Y18	PVC Y18	PVC Y18
R DC [mOhm/m]	2x 87	2x 22	10	6
U rated [V]	100	300	300	300
T max. [C°]	90	90	90	90
Colour	black/ blue	black/ blue	black/ blue	black/ blue
Weight [g/m]	4.6	19.8	41.3	67.6
Twist Pitch [mm]	25	30	30	35

Application Suggestions

Loudspeaker Internal Wiring:
Tweeter
Audio Electronics Internal Wiring
RCA Cables
XLR Cables
& more

Speaker Cables
Loudspeaker Internal Wiring:
Tweeter/Mid
Audio Electronics Internal Wiring
& more

Speaker Cables
Loudspeaker Internal Wiring:
Mid/Woofer
Audio Electronics Internal Wiring
& more

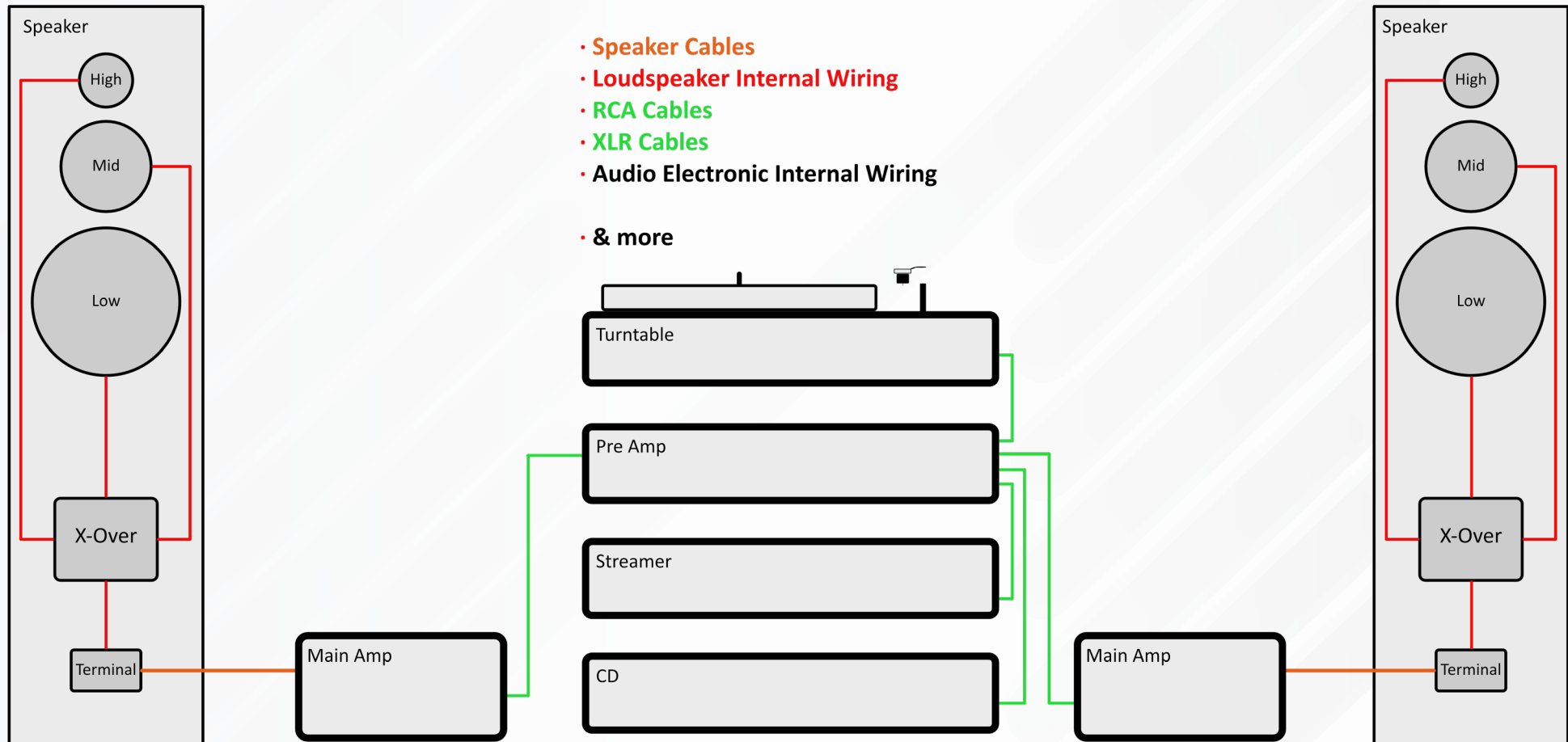
Speaker Cables
Loudspeaker Internal Wiring:
Woofer
Audio Electronics Internal Wiring
& more

Application Suggestions

ACW - Angelique® Copper Solid Core Wires

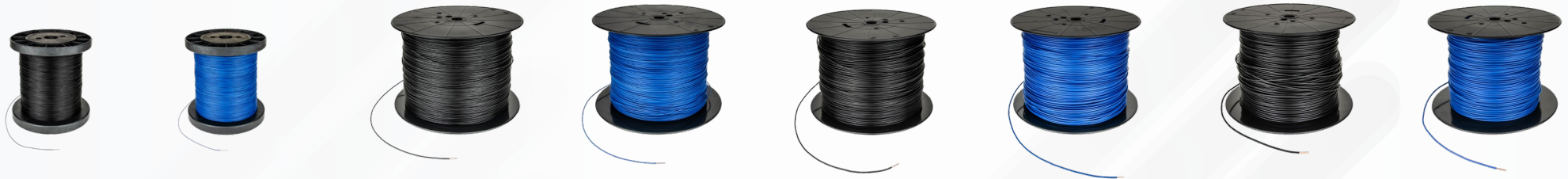
- **Speaker Cables**
- **Loudspeaker Internal Wiring**
- **RCA Cables**
- **XLR Cables**
- **Audio Electronic Internal Wiring**

- **& more**



Ex Works Available Packing Units

(Symbol photos)



ACW105P-BK	Length [m]
ACW105P-BK-00.120	120
ACW105P-BK-01.000	1000
ACW105P-BK-03.000	3000

ACW110P-BK	Length [m]
ACW110P-BK-00.036	36
ACW110P-BK-00.300	300
ACW110P-BK-01.000	1000

ACW115P-BK	Length [m]
ACW115P-BK-00.012	12
ACW115P-BK-00.120	120
ACW115P-BK-00.400	400

ACW120P-BK	Length [m]
ACW120P-BK-00.012	12
ACW120P-BK-00.080	80
ACW120P-BK-00.250	250

ACW105P-BU	Length [m]
ACW105P-BU-00.120	120
ACW105P-BU-01.000	1000
ACW105P-BU-03.000	3000

ACW110P-BU	Length [m]
ACW110P-BU-00.036	36
ACW110P-BU-00.300	300
ACW110P-BU-01.000	1000

ACW115P-BU	Length [m]
ACW115P-BU-00.012	12
ACW115P-BU-00.120	120
ACW115P-BU-00.400	400

ACW120P-BU	Length [m]
ACW120P-BU-00.012	12
ACW120P-BU-00.080	80
ACW120P-BU-00.250	250



Symbol photo



Symbol photo



Symbol photo



Symbol photo

ACW205P-BK/BU	Length [m]
ACW205P-BK/BU-00.120	120
ACW205P-BK/BU-01.000	1000
ACW205P-BK/BU-01.500	1500

ACW210P-BK/BU	Length [m]
ACW210P-BK/BU-00.036	36
ACW210P-BK/BU-00.300	300
ACW210P-BK/BU-00.500	500

ACW215P-BK/BU	Length [m]
ACW215P-BK/BU-00.012	12
ACW215P-BK/BU-00.120	120
ACW215P-BK/BU-00.200	200

ACW220P-BK/BU	Length [m]
ACW220P-BK/BU-00.012	12
ACW220P-BK/BU-00.080	80
ACW220P-BK/BU-00.125	125